

# FAST-FIT DATA SHEET L1

## FLOOR AND LINING KIT

### DESCRIPTION

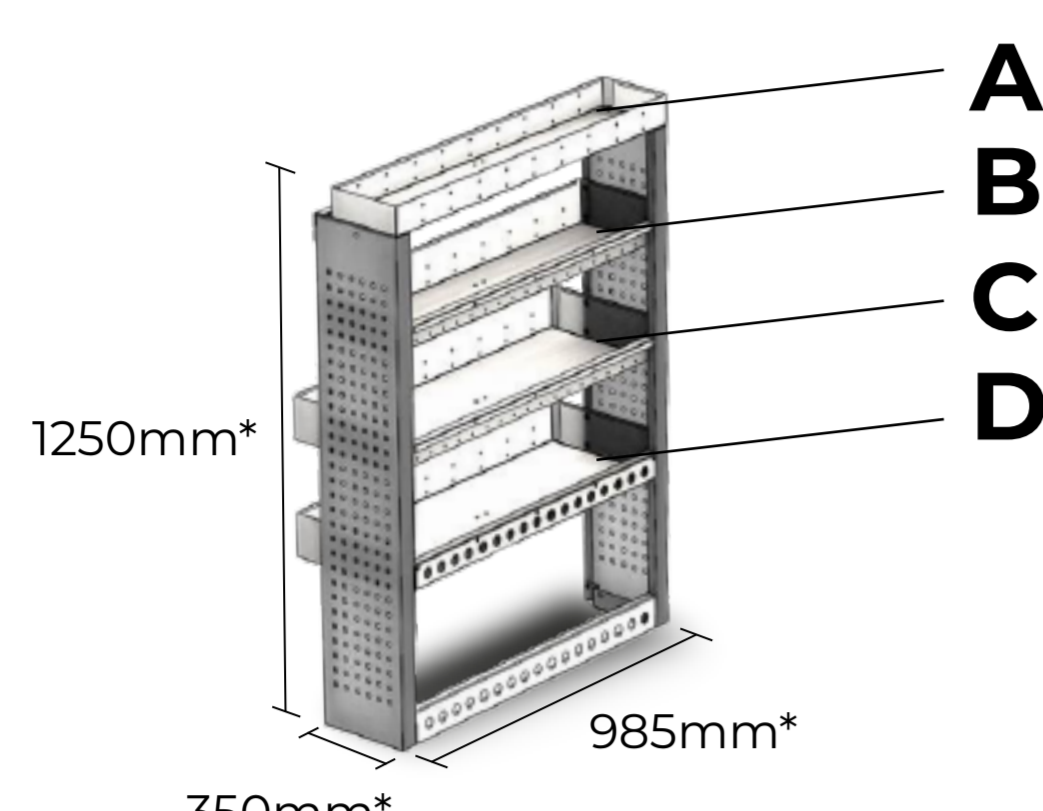
Anti-slip, lightweight phenolic floor. White polypropylene linings for side panels. Yellow polypropylene linings for rear door panels.

## RACKING

### SHELVING MODULE (F1)

Weight: 27.5KG\*

### DESCRIPTION

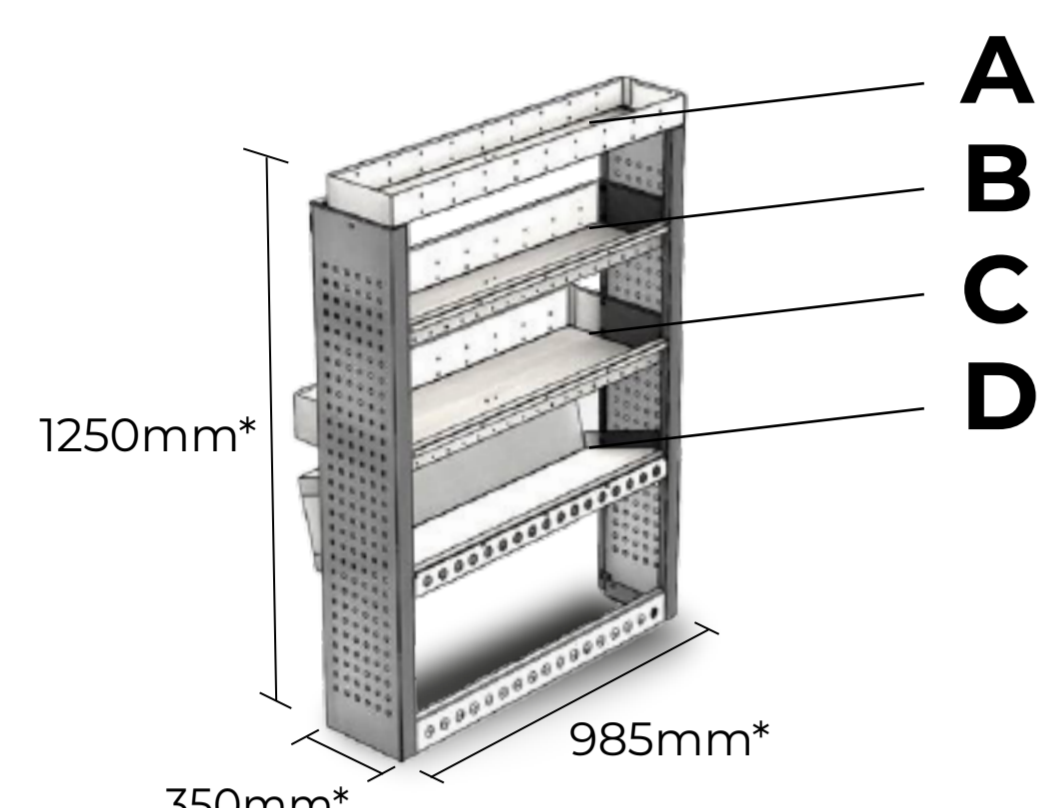


4 tier shelf system. Shelf A holds general smaller items.  
Shelves B, C and D can take dividers or boxes of different sizes.  
Load lock rails on lower shelf and floor plinth for strapping items.  
End panels are infilled to give flushed look.

### SHELVING MODULE (F2)

Weight: 28KG\*

### DESCRIPTION

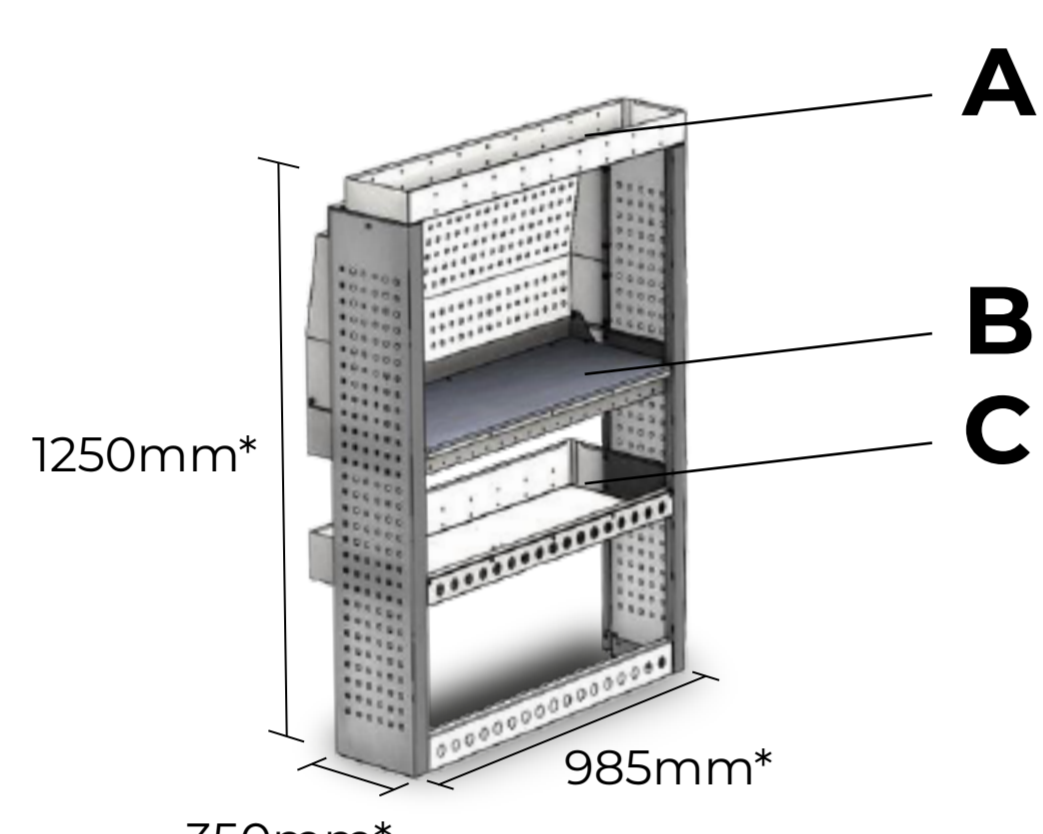


4 tier shelf system. Shelf A holds general smaller items.  
Shelves B and C can take dividers or boxes of different sizes.  
Shelf D can hold tool cases.  
Load lock rails on lower shelf and floor plinth for strapping items.  
End panels are infilled to give flushed look.

### WORKSTATION MODULE (F3)

Weight: 30KG\*

### DESCRIPTION



Shelf A holds general smaller items.  
Worktop B is foldable to allow larger items on shelf below.  
Shelf C can take dividers or boxes of different sizes.  
Aluminium tool board for holding additional accessories.  
Load lock rails on lower shelf and floor plinth for strapping items.  
End panels are infilled to give flushed look.

### THE FOLLOWING ACCESSORIES ARE AVAILABLE FOR ALL SHELVING MODULES:

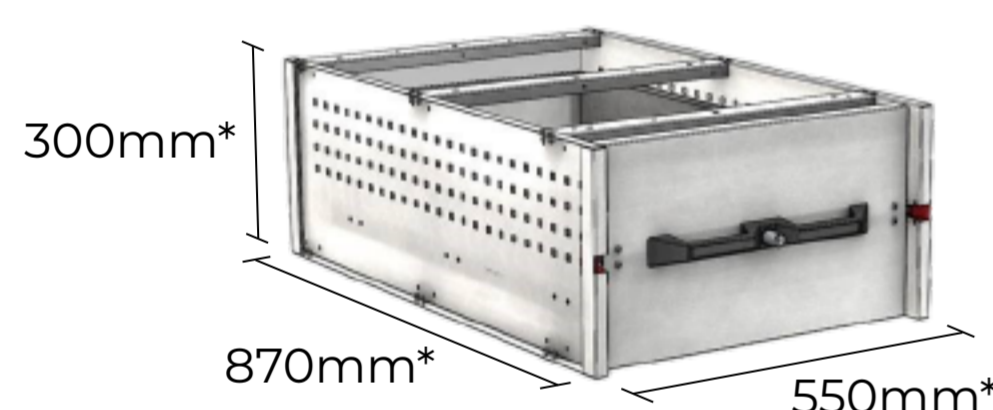
DESCRIPTION		
Rubber Mats	Burns Kit	Cable Reel Holder
Securing Straps	Ratchet Straps	Paper Towel Dispenser
Aluminium Shelf Dividers	First Aid Kit	Pull Out Vice
Plastic Shelf Containers	Silicone Tube Holder	Document Holder
Hand Sanitizer Unit	Hose Reel Holder	Burns / First Aid Holder

## OPTIONS

### PULL OUT DRAWER (F4)

Weight: 24.5KG\*

### DESCRIPTION

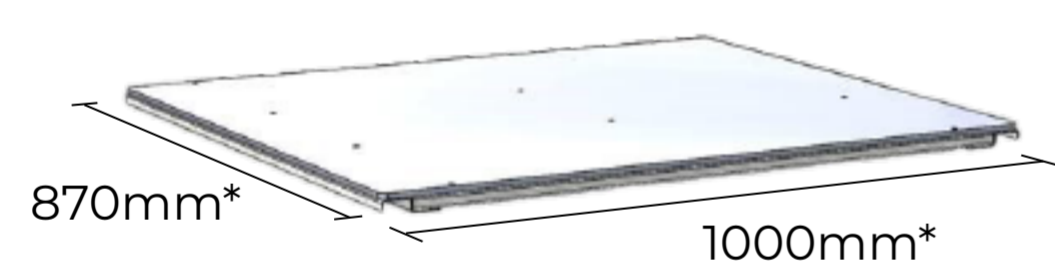


Additional storage to hold heavier items safely.  
Push button opening.

### FALSE FLOOR (F5)

Weight: 16.5KG\*

### DESCRIPTION



Additional load area for stowing goods above and below.

## ADDITIONAL INFO

FAST-FIT IS COMPATIBLE ON ALL SHORT, MEDIUM, AND LONG WHEEL BASED COMMERCIAL VEHICLES.

RACKING FINISHED WITH TWO TONE GREY EPOXY POWDER COATING. CUSTOM COLOURS AVAILABLE ON REQUEST.

PRODUCTS FULLY CRASH TESTED TO ECE R17.

OTHER OPTIONS AND ACCESSORIES ARE AVAILABLE.

ALL RACKING AND PULL OUT DRAWER ARE MANUFACTURED IN LIGHT WEIGHT STEEL. FALSE FLOOR MADE FROM ANTI-SLIP LIGHTWEIGHT PHENOLIC.

## FAST-FIT GALLERY



\*Measurements and weights are based on a Ford Transit Custom L1.

### Contact us

support@qivansystems.co.uk  
01952 292166  
Qi Van Systems, Unit C, Stafford Park 18, Telford, TF3 3BN